

Jarke Gantry Crane

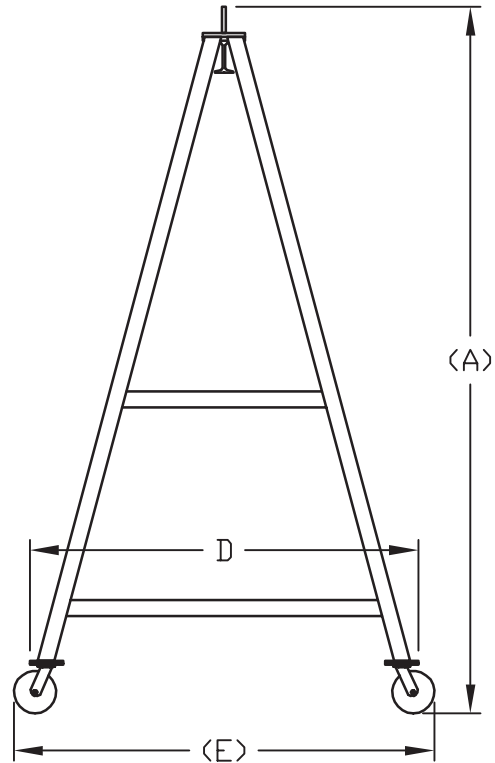
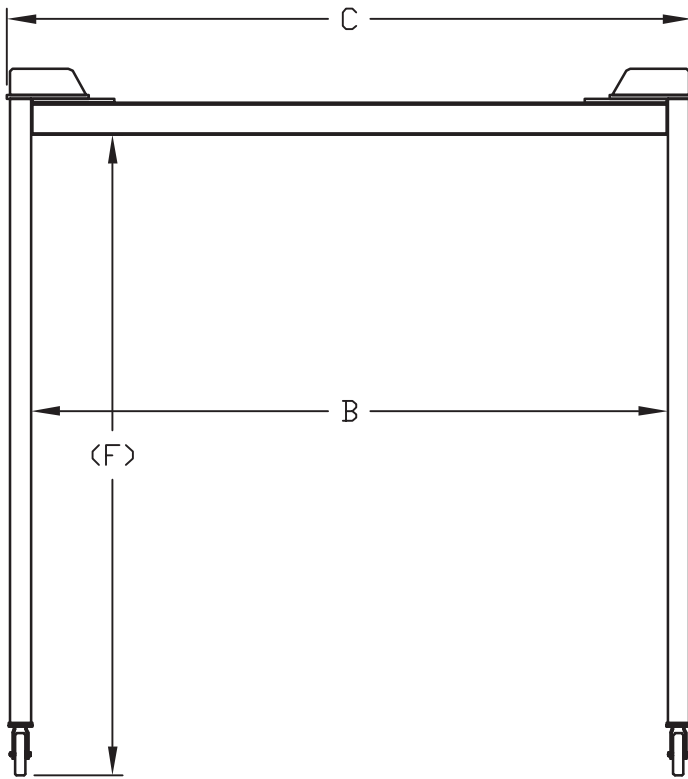


- Available in 2,000 and 4,000 lb. capacities
- Simple, rugged 8 bolt design allows easy setup and long service life
- Standard I Beam load span accommodates universal trolleys and beam clamps for versatile hoist suspension (trolleys, clamps and hoist not included)
- Multiple heights and lengths available
- Complies with OSHA and ANSI Standards
- Bright Safety Yellow powder coat paint provides excellent visibility
- 2" high capacity label on both sides of load span is very recognizable from floor level and helps prevent mistaken overload of lifting equipment
- Non-marking, long lasting 8" phenolic casters do not develop flat spots under load and is resistant to embedding floor debris
- All 4 casters feature four-way swivel locks for ease of maneuverability
- Additional stability provided by 2 foot actuated wheel brake equipped casters

Model No.	Capacity (Lbs.)	Dimensions (HxW)	Overall Height	Frame Width	Frame Depth	Headroom
GA-2096096	2000	8' x 8'	109 3/4"	75"	4"	97 3/4"
GA-2096120	2000	8' x 10'	109 3/4"	75"	4"	97 3/4"
GA-2096144	2000	8' x 12'	109 3/4"	75"	4"	97 3/4"
GA-2120096	2000	10' x 8'	133 3/4"	73 1/2"	4"	121 3/4"
GA-2120120	2000	10' x 10'	133 3/4"	73 1/2"	4"	121 3/4"
GA-2120144	2000	10' x 12'	133 3/4"	73 1/2"	4"	121 3/4"
GA-2144096	2000	12' x 8'	157 3/4"	76"	4"	145 3/4"
GA-2144120	2000	12' x 10'	157 3/4"	76"	4"	145 3/4"
GA-2144144	2000	12' x 12'	157 3/4"	76"	4"	145 3/4"
GA-4096096	4000	8' x 8'	110 3/8"	75"	4"	98 5/8"
GA-4096120	4000	8' x 10'	110 3/8"	75"	4"	98 5/8"
GA-4096144	4000	8' x 12'	110 3/8"	75"	4"	98 5/8"
GA-4120096	4000	10' x 8'	134 3/8"	73 1/2"	4"	122 5/8"
GA-4120120	4000	10' x 10'	134 3/8"	73 1/2"	4"	122 5/8"
GA-4120144	4000	10' x 12'	134 3/8"	73 1/2"	4"	122 5/8"
GA-4144096	4000	12' x 8'	157 3/4"	76"	4"	146 5/8"
GA-4144120	4000	12' x 10'	157 3/4"	76"	4"	146 5/8"
GA-4144144	4000	12' x 12'	157 3/4"	76"	4"	146 5/8"

Gillis-Jarke
 750 Pinecrest Drive
 Prospect Heights, IL 60070
 P / 888.541.6500
 F / 847.541.0858
www.leggettspg.com

Jarke Gantry Crane



Product Dimensions by Model Number

DIM	GA-2096096	GA-2096120	GA-2096144	GA-2120096	GA-2120120	GA-2120144	GA-2144096	GA-2144120	GA-2144144
A	109.740	109.740	109.740	133.734	133.734	133.734	157.755	157.755	157.755
B	96.500	120.500	144.500	96.500	120.500	144.500	96.500	120.500	144.500
C	105.500	129.500	153.500	105.500	129.500	153.500	105.500	129.500	153.500
D	74.977	74.977	74.977	73.483	73.483	73.483	75.823	75.823	75.823
E	80.977	80.977	80.977	79.483	79.483	79.483	81.823	81.823	81.823
F	97.240	97.240	97.240	121.244	121.244	121.244	145.264	145.264	145.264
DIM	GA-4096096	GA-4096120	GA-4096144	GA-4120096	GA-4120120	GA-4120144	GA-4144096	GA-4144120	GA-4144144
A	110.365	110.365	110.365	134.359	134.359	134.359	158.380	158.380	158.380
B	96.500	120.500	144.500	96.500	120.500	144.500	96.500	120.500	144.500
C	105.500	129.500	153.500	105.500	129.500	153.500	105.500	129.500	153.500
D	74.977	74.977	74.977	73.483	73.483	73.483	75.823	75.823	75.823
E	80.977	80.977	80.977	79.483	79.483	79.483	81.823	81.823	81.823
F	95.865	95.865	95.865	119.869	119.869	119.869	143.889	143.889	143.889

Gillis-Jarke
 750 Pinecrest Drive
 Prospect Heights, IL 60070
 P / 888.541.6500
 F / 847.541.0858
www.leggettspg.com